

EXO V RACK CASE

The innovative 19" Lightweight Exo V Rack double Lid Case design offers the user an exceptional protection and industry leading shock performance.

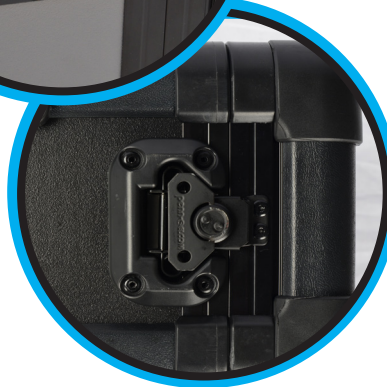


Key Features

Moulded Polyurethane
Corners for Shock Absorption



Recess or Surface mount Catches
to suit case size



Both rotatory butterfly
latches simple and easy
to use providing simple
closure that resist shock
and vibration

Moulded Rubber Side Feet
to add protection and hold
lid in place when removed

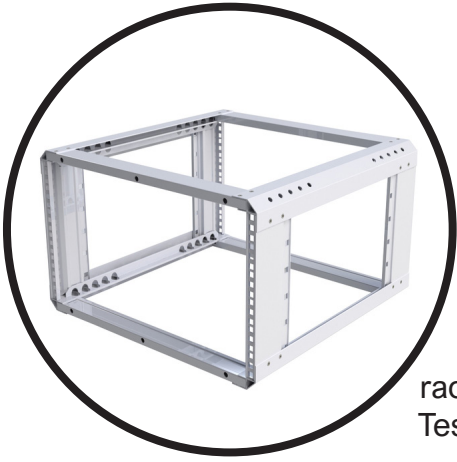


Rubber Feet & Lid rests
to help lid fitting

IP *6 RATED / Mil-Spec 81-41

The EXOcases™ unique Exo-skeletal design ensures maximum protection of high value instrumentation and sensitive equipment during storage and transportation.

OUR 19" RACK MOUNT VULCAN RANGE



VULCAN SHOCKMOUNT CHASSIS

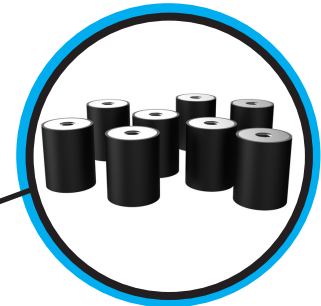
Hollow triangular sections of high-tensile tempered aluminium alloy. Giving extraordinary strength to weight ratio while retaining stability whatever the chassis size.

ACCREDITED TO MILITARY AND COMMERCIAL STANDARDS:
Vulcan conforms to IEC 60297-3 | ANSI
accredited to MIL STD 810G

You can now safely integrate sensitive and high value devices into rack enclosures without upgrading to a heavy and costly steel chassis. Tested to military standards, a Vulcan™ chassis will keep contents safe from drops, vibrations and impact during transportation or storage.

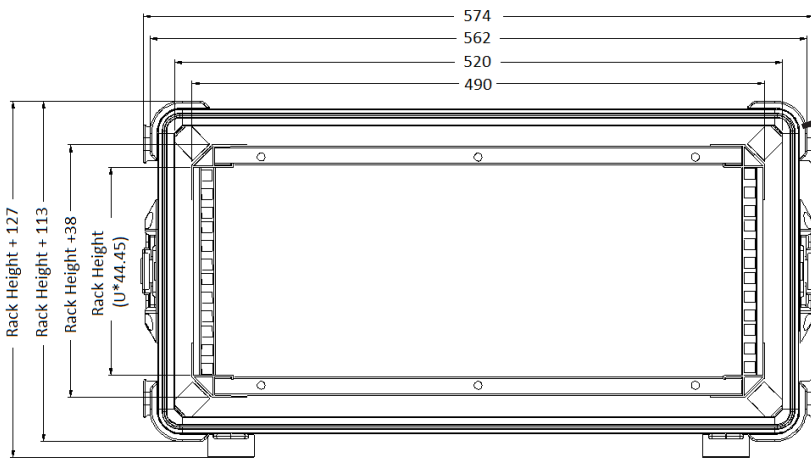
EXO RACK INTERNAL AND EXTERNAL HEIGHTS

2U to 18U Heights available with no loss of strength.
Bespoke heights available on request.

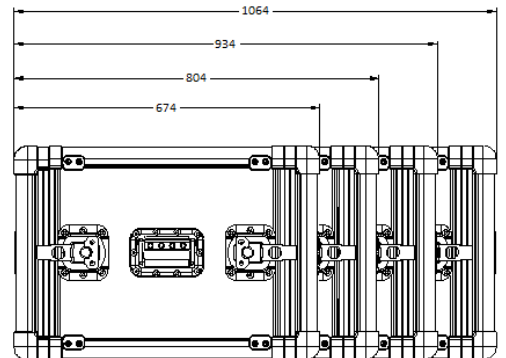
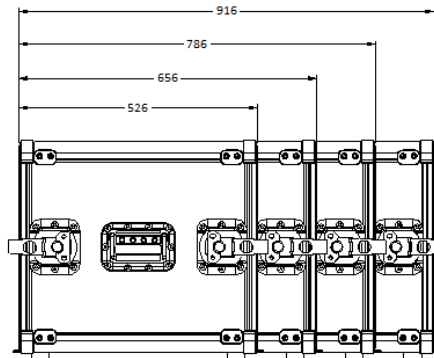
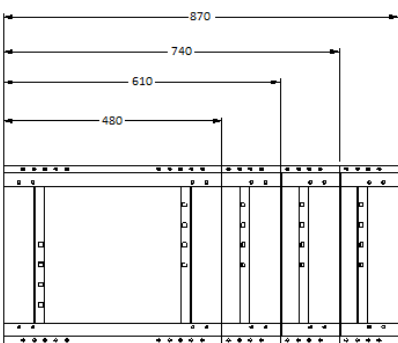


Angled precision-engineered shock mounts ensure maximum shock and vibration isolation to rack mounted equipment.

Standard Shock absorbers suitable for loads from 18 to 50Kg.
Extra shock absorber kits available to extend load up to 200Kg.



EXO RACK DEPTHS AVAILABLE



CUSTOMISED LID DEPTH

Standard Lid Depth: 57mm (minimum depth available)

Lid depth can be customised upon requests to meet mounted equipment requirements.

VULCAN RANGE

Product Code	Rack Width (mm)	Rack Height (mm)	Rack Depth (mm)	Case Width (mm)	Case Height (mm)	Case Depth (mm)	Aprox Case Weight (KG)
ER 2U-480-V	490	132	480	574	216	674	13.00
ER 2U-610-V			610			804	15.00
ER 2U-740-V			740			934	16.00
ER 2U-870-V			870			1064	17.00
ER 3U-480-V	490	177	480	574	261	674	14.00
ER 3U-610-V			610			804	15.50
ER 3U-740-V			740			934	16.50
ER 3U-870-V			870			1064	17.50
ER 4U-480-V	490	221	480	574	305	674	15.00
ER 4U-610-V			610			804	16.50
ER 4U-740-V			740			934	17.50
ER 4U-870-V			870			1064	19.00
ER 5U-480-V	490	265	480	574	349	674	15.50
ER 5U-610-V			610			804	17.00
ER 5U-740-V			740			934	18.00
ER 5U-870-V			870			1064	19.50
ER 6U-480-V	490	310	480	574	394	674	16.00
ER 6U-610-V			610			804	17.50
ER 6U-740-V			740			934	19.00
ER 6U-870-V			870			1064	20.00
ER 7U-480-V	490	354	480	574	438	674	17.50
ER 7U-610-V			610			804	19.00
ER 7U-740-V			740			934	20.00
ER 7U-870-V			870			1064	21.50
ER 8U-480-V	490	399	480	574	483	674	18.00
ER 8U-610-V			610			804	20.00
ER 8U-740-V			740			934	21.00
ER 8U-870-V			870			1064	21.50
ER 9U-480-V	490	443	480	574	527	674	18.50
ER 9U-610-V			610			804	20.50
ER 9U-740-V			740			934	21.50
ER 9U-870-V			870			1064	22.50
ER 10U-480-V	490	488	480	574	572	674	19.00
ER 10U-610-V			610			804	21.00
ER 10U-740-V			740			934	22.00
ER 10U-870-V			870			1064	23.50
ER 11U-480-V	490	532	480	574	616	674	19.50
ER 11U-610-V			610			804	21.50
ER 11U-740-V			740			934	23.00
ER 11U-870-V			870			1064	24.00
ER 12U-480-V	490	577	480	574	661	674	20.00
ER 12U-610-V			610			804	22.00
ER 12U-740-V			740			934	23.50
ER 12U-870-V			870			1064	25.00
ER 13U-480-V	490	621	480	574	705	674	21.00
ER 13U-610-V			610			804	22.50
ER 13U-740-V			740			934	24.00
ER 13U-870-V			870			1064	25.50
ER 14U-480-V	490	666	480	574	750	674	21.50
ER 14U-610-V			610			804	23.00
ER 14U-740-V			740			934	24.50
ER 14U-870-V			870			1064	26.00
ER 15U-480-V	490	710	480	574	794	674	22.00
ER 15U-610-V			610			804	24.00
ER 15U-740-V			740			934	25.50
ER 15U-870-V			870			1064	27.00
ER 16U-480-V	490	754	480	574	838	674	22.50
ER 16U-610-V			610			804	24.50
ER 16U-740-V			740			934	26.00
ER 16U-870-V			870			1064	27.50
ER 17U-480-V	490	799	480	574	883	674	24.00
ER 17U-610-V			610			804	26.00
ER 17U-740-V			740			934	27.50
ER 17U-870-V			870			1064	29.00
ER 18U-480-V	490	843	480	574	927	674	24.50
ER 18U-610-V			610			804	26.50
ER 18U-740-V			740			934	28.00
ER 18U-870-V			870			1064	29.50

Also available with Integrated Corner Wheels and Trolley Castors to ensure easy transport





FOR MORE DETAILS CONTACT US:
sales@protechnic.com
(+44) 01275 811 310
www.protechnic.com



Protechnic Ltd
Unit 1, West End Trading Estate
Blackfriars Road, Nailsea
Bristol, BS48 4DJ